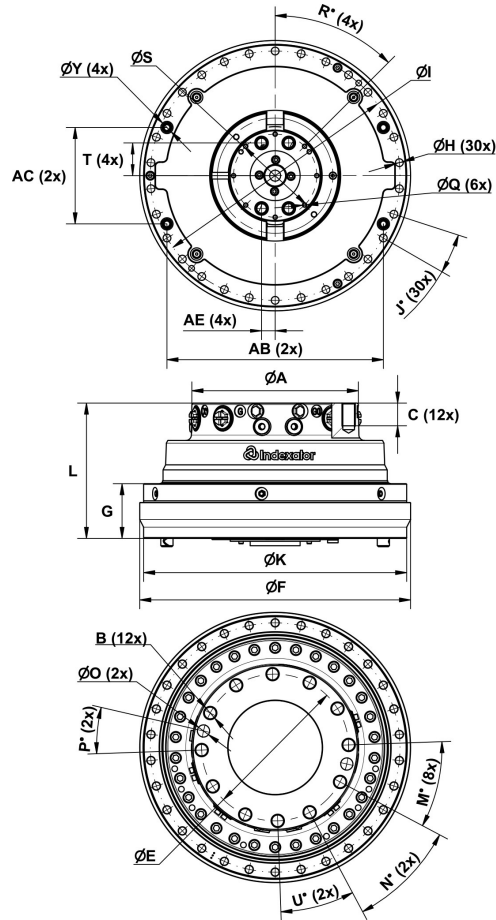
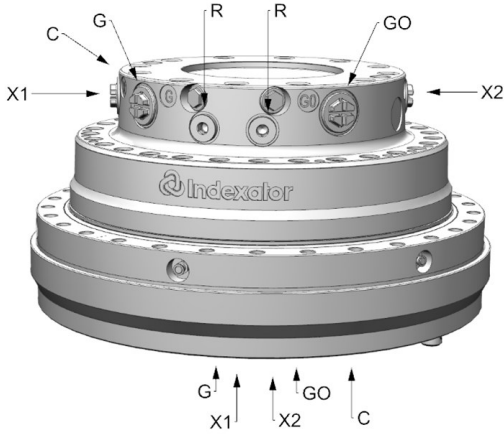


XR 400 HT X2 C M24

Part No.: 8400024

- Central lubrication



Upper				Lower	
X1:	X2:	Central lubrication:	G GO:	R:	Central lubrication:
G 1	G 1	M10 x 1,0	G 1	G 1/2	G 1/4

A:	AB:	AC:	AE:	B:	C:	D:	E:	F:	G:	H:	I:	J:	K:
Ø300 mm	390 mm	174 mm	24,5 mm	M24	41 mm	Ø170 mm	Ø265 mm	Ø488 mm	99 mm	Ø14 mm	Ø450 mm	12°	Ø474 mm
L:	M:	N:	O:	P:	Q:	R:	S:	T:	U:	Y:			
244 mm	30°	34°	Ø22 mm	15°	M8	45°	Ø150 mm	59,15 mm	26°	Ø22 mm			

199 kg	360°	±550 kN ¹	±200 kN	±140 kN	±47 kNm ²	7000 Nm	40 l/min	25 MPa	40 MPa	40 MPa	40 MPa	40 MPa	40 MPa	40 MPa

¹ Max axial load static indicate theoretical max load for hanging applications without accelerations.

² The torque load may not be combined with axial load.

Pressure limiting valves fitted in the motor.

Can be supplemented with hose guard.

Oil distributor ordered separately.

We reserve the right to make product changes. For further technical information relating to integration and hydraulic connections, please contact rotator@indexator.com