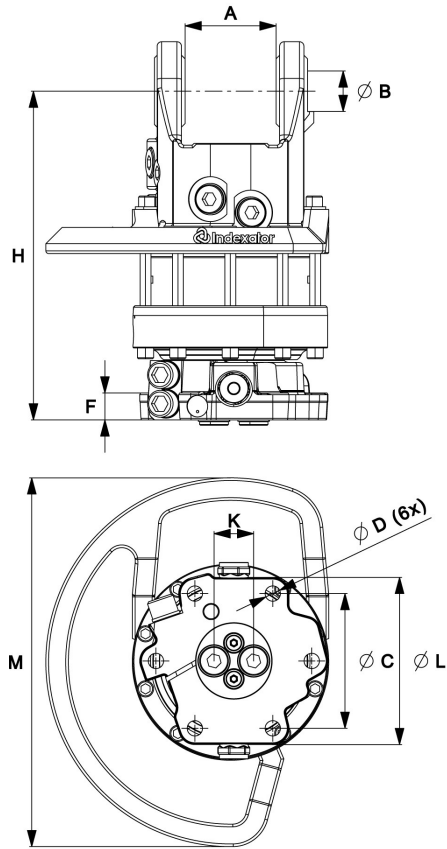
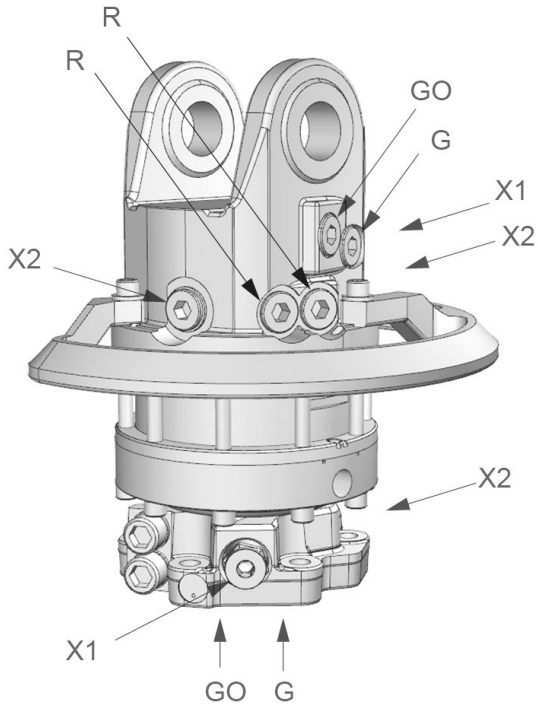


GV 124S

Part No.: 5112127



Upper connection	Lower connection	Housing		Shaft	
G 1/2	G 3/4	X1: G 3/4	X2: G 3/4	X1: G 3/4	X2: G 3/4

A: 101 mm	B: Ø45 mm	C: Ø173 mm	D: Ø17 mm	F: 30 mm	H: 365 mm	K: 44 mm	L: Ø209 mm	M: 410 mm
--------------	--------------	---------------	--------------	-------------	--------------	-------------	---------------	--------------

		Max 	Max 		Max 	Max 	Max 	Max 	Max x1	Max x2
65.9 kg	360°	100 kN	50 kN	2200 Nm	25 l/min	25 MPa	20 MPa	25 MPa	25 MPa	25 MPa

Adapter sets are available for alternative connections.

For further technical information relating to integration and hydraulic connections, please contact rotator@indexator.com